

Football Pitch



Operating Instructions



These are instructions specific to the operation of the Airfloor Football Pitch






The Airfloor Football Pitch come in many different lengths, widths, and colours and branding. These additional operating instructions cover any device made by Airparx similar to the picture above. If you are in any doubt about anything mentioned in this manual or its suitability for your product or circumstances, please contact us using any of the methods given on our website, www.airparx.com/contact.

For all guidance relating to the safe use and operation of this product please read this manual thoroughly. A copy of this manual can be downloaded by scanning the QR code on the product or by visiting www.airquee.com/manuals.



As owner/operator it is your responsibility to write and carry out your own risk assessment before attempting to use this product. This manual must be read before attempting to setup/use the product.

Additional Equipment

Manometer	Hand Held Fan
 Or 	

- The above equipment can be purchased in addition to your product. If you don't already have these, you will need to purchase them.



This product will be fully installed by the Airparx team and should not need any further set up. Should you wish to move this product please consult Airparx first but always assess the weight and adjust the number of people according to manual handling training and use the correct equipment to move the product. You should conduct your own manual handling risk assessment to determine a safe set up procedure and number of people required based on your circumstances.

For information regarding dimensions, weight, etc please refer to the email we sent you with the finished pictures and data.

Conformity and Standards

The product was designed and manufactured to meet the requirements of *EN1176:2017 - Playground equipment and surfacing* (with all its relevant parts), *EN1177:2018 - Impact attenuating playground surfacing*. Since all these standards and the Health and Safety Executive (HSE) recommends an annual independent inspection, for the purposes of this manual, it is assumed that at some time in the previous 12 months the Football Surround has been safety tested. This can be accomplished by submitting the equipment to a competent third-party inspector.

Design and Manufacture of Components

There are 2 type of load bearing structures:

1. Steel structure made of zinc galvanized steel pipes connected by pre-fabricated fitting elements.
2. Inflatable mattress.

All surrounding hard surfaces that participants may come into contact with, such as columns, horizontal obstacles, floor, walls etc. are covered with mats. The foam in these padding is specifically made to cover the requirements of *ASTM F355 - 16e1 - Standard Test Method for Impact Attenuation of Playing Surface Systems, Other Protective Sport Systems, and Materials Used for Athletics, Recreation and Play* and *EN1177:2018 - Impact attenuating playground surfacing. Methods of test for determination of impact attenuation* respectively. The padding is covered with a flame retardant and REACH compliant material, constructed of a polyester or nylon weave, thickly coated on both sides with PVC.

Modifications

After installation, any modifications require the written consent of the manufacturer and the safety inspector. Any unauthorised alteration will likely cause the altered product to become non-compliant and automatically lose its approved safety inspection status, and delegate the responsibility of a new certification/approval process on the operator. Modifications could void the warranty of the said product as well. See the Airparx Terms and Conditions here: <https://airparx.com/terms>



The air in the mattress can expand and contract as the temperature changes. The over pressure valve will ensure the pressure does not get too great. If pressure is released due to hot conditions, air will need to be added again as conditions cool and the air contracts.

INTENDED USE OF THE PRODUCT

The Airfloor Football Pitch can be used for many more games than just football. It is a completely contained structure ensuring balls cannot be thrown or kicked outside the perimeter of the game. The game also comes with electronic targets and scoreboard that have different modes of operation. For all guidance on the safe use, operation, and cleaning of the electronic components within this game please refer to the operation manual specific to these products.





NEVER USE THE INFLATABLE MATTRESS SEPARATELY IN AN OUTDOOR ENVIRONMENT. IT DOES NOT HAVE ANCHORAGE FOR OUTDOOR USE!

The following guidelines should be respected while supervising users:

- Exercise constant, real person supervision regardless of age or skill level of the user. A supervisor must have visual contact with the participants at all times!
- Always perform all required safety inspections and run a trial of all activity zones before allowing users access to the play areas.
- Do not allow users to climb on any containment wall or metal/wood structure
- Keep users off the Football pitch until the mattress is fully inflated.
- Monitor the pressure in the inflatable. If a pressure drop is noticed get all users off the play area immediately.

OPERATING GUIDELINES/RULES OF PLAY

- **A proper LIMBER UP is required before entering the play area.**
- **Do not climb on a containment wall or the metal structure.**
- **Anyone with pre-existing injuries or health concerns should assess their ability to use the product. Additional help or supervision may be required to allow these users to participate. Depending on the illness, injury, or circumstance it may be prudent to not allow the user onto the product. This decision falls with the user and operator. It is highly recommended that pregnant woman and people under the influence of alcohol or drugs should not use the inflatable.**
- **Clothing should be sporty and comfortable and it should cover the whole body. Any loose clothes may raise the risk of entrapment or accidents. To prevent friction burns, use long sleeve shirt and trousers.**
- **Wearing jewelry, watches and accessories like earrings, necklace, bracelets, tiara etc. are not allowed.**
- **Never allow shoes on the mattress.**
- **Always use the supplied fans. A higher capacity fan could easily overinflate the product.**
- **All valves must be closed at every inflating/deflating procedure.**
- **Since the mattress has no anchor points, IT IS FORBIDDEN TO USE IT IN AN OUTDOOR ENVIRONMENT.**
- **Always try to keep the mattress in an inflated state. It is vital for its longevity. Deflating it may stress the material especially at the folded corners.**
- **The supervisor should periodically check the firmness of the mattress. This can be done with the air valve pressure tester. If the mattress is showing signs of being soft, it should not be used as impact with the ground may occur.**

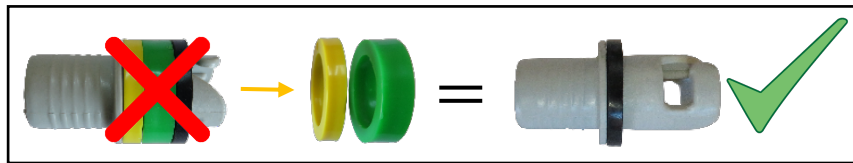
THE FAN - Inflation/Deflation



PLEASE READ THE USER MANUAL OF THE FAN BEFORE ATTEMPTING TO USE THE FAN!

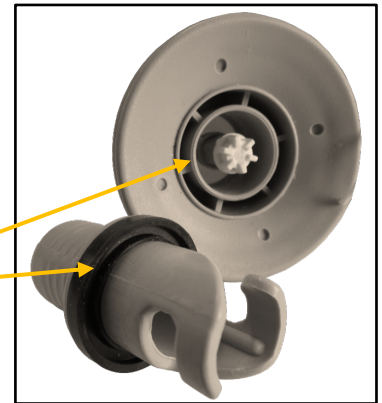
All sealed inflatables use a handheld fan. For safety reasons it is vital to **USE THE FAN INCLUDED WITH YOUR PRODUCT** (or one with similar specifications) when inflating your product.

The hand fan comes with an extra adaptor. This adaptor has 2 extra plastic pieces (green and yellow) they may need to be removed, depending on the exact valve type. They are there to provide a tight fit but if the connector doesn't fit into the valve fully one or both will need to be removed.

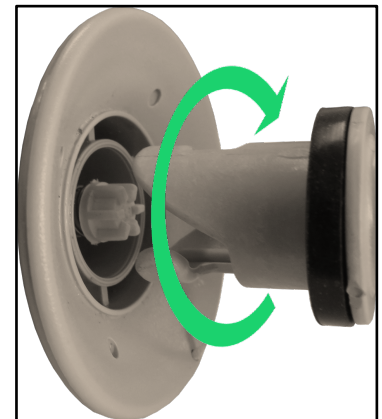


The **recess of the black rubber must face outwards**. This way it surrounds the edge of the valve and creates an airtight connection.

THE RECESS OF THE BLACK RUBBER WASHER SURROUNDS THE EDGE OF THE VALVE

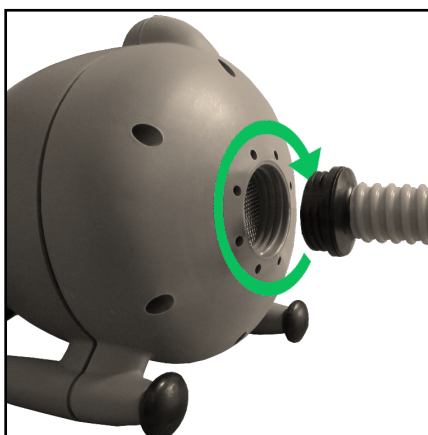


When connecting the adaptor to the valve you must insert and **twist**.

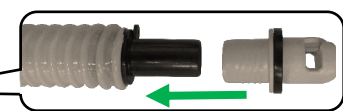


The supplied fan is **1000 watt** and capable of delivering **1700 litres** of air per minute.

It is extremely important not to use a fan that can deliver air faster than this or with more power. When the inflatable reaches its maximum pressure the over pressure valve will open and start to release air. The fan specification ensures the air going in does not exceed the air leaving through the over pressure valve. While the operator should never allow this situation, it is a safety mechanism to prevent over inflation.



ON/OFF BUTTON



Inflation Process:

1. Remove the red cap on the overpressure valve
2. Locate the valve and remove the cap.
3. Connect the pipe to the fan using the hole marked with "OUT".
4. Connect the adaptor to the valve.
5. Switch ON the fan and begin inflation
6. Once the inflatable has taken shape, but is not yet too firm, turn off the fan and remove.
7. Turn on the manometer and push it firmly into the valve, take note of the reading.



Operating Pressure should be:

Children: 100 millibar (1.45 PSI)

Adults: 130 millibar (1.88 PSI)

Maximum operating pressure: 160 millibar (2.3 PSI)

8. Based on the reading, switch back to the fan and continue inflation if needed.
9. If the reading is more than 160 millibar (2.3 PSI) remove the manometer and press the centre of the valve to release some air.

Maximum achievable pressure using the supplied fan should not be more than 200 millibar (2.9 PSI). At this point the over pressure valve will open.



IMPORTANT: DO NOT LEAVE THE PRODUCT UNATTENDED WHILE INFLATING/DEFLATING AND DO NOT TRY TO OVERINFLATE THE PRODUCT.

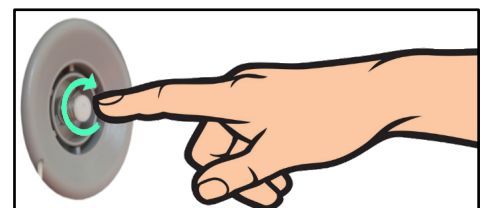
Deflation Process:

1. Locate the valve and remove the cap.
2. Connect the adaptor to the valve.
3. Connect the pipe to the hole marked "IN".
4. Switch on the fan and deflation will begin.
5. Once all the air has been withdrawn from the inflatable disconnect the fan.
6. Do not leave the fan running when all air has been withdrawn as this will overheat the fan.



Manual Deflation:

1. Locate the valve and remove the cap.
2. Locate and depress the centre stem of the inflation/deflation valve turning it 90 degrees to lock into the depressed position.
3. Leave the inflatable for 5 - 10 minutes to allow the air to escape.



OVERPRESSURE VALVE

An overpressure valve is designed to open and relieve excess pressure from the equipment and to reclose and prevent the further release of air after normal conditions have been restored. An overpressure valve is a safety device, not a process valve or pressure regulator, and should not be misused as such. It should be used for overpressure only, and it cannot be used to inflate the unit.



The lid of the overpressure valve should be opened during inflation process and can be closed once this process is complete, since it has a small hole on the top to let minor air adjustments escape.



If there are large changes of pressure for any reason, a lot of air will be expelled through the over pressure value. Once the cause of the over pressure, most likely temperature or external pressure, is removed the inflatable will become soft and will need to be tested and adjusted as required.

SETUP OF THE MAT



The Airtight Mattress is designed for INDOOR use only. Do not use this product outdoors.

- Attach the fan to the valve. On large mattresses, if more than one valve is present you can use more than one fan.
- Follow the instructions above on how to properly inflate and check the pressure of your mattress.
- NEVER leave the fan(s) unattended while the mattress is being inflated.
- Once inflated ensure valve and over pressure caps and put in place and completely remove the fan and any extension lead used from the area.
- If your mattress has a top sheet installed check it is still in position and all attachments are correctly in place.
- BEFORE first use, the mattress should be walked over (without shoes) to check the pressure and to inspect for any defect.

Make sure the valves are free of dangling threads. If threads are sticking out of the valve, use the fan to blow it back inside the mattress before closing the valve. If not, the valve will leak air, and the mattress will lose pressure over time.



**THE THREAD HANGING OUT
PREVENTS THE VALVE FROM
CLOSING PROPERLY**

VALVE APPEARANCE MAY VARY

AFTER USE

- If the mattress is being used in a permanent location it can be left inflated.
- Always make sure the area cannot be accessed when the product is not intended to be used.
- When next used, even if only after a short time, a pressure test and walk over must take place to ensure it is still safe for use.
- To deflate the mattress the valve can be locked open and most air will escape.
- To fully extract all air connect the fan in reverse mode and use the instructions in the fan section above.
- Never leave the fan unattended when it is sucking air out of the mattress. When the air inside the product runs out the fan will get very hot very quickly. You must stop the fan before this happens.
- Never fold the mattress tightly or apply pressure to the folds. Doing this can damage the welded joints and invalidate the warranty.

SAFETY INSPECTIONS

Routine Inspections

Each time before the Football Surround is made available for use, the operator or his nominee shall make sure it is safe to use. Routine inspections look at any changes in the overall condition of the product caused by frequent use or vandalism. The person carrying out the check shall be sufficiently trained or experienced in the check routines that must be carried out.

Safety Padding: All safety padding must be intact and in good order. This includes padding on all surfaces and floor. If loosened padding is found they should be repaired or changed. Check if the foam has twisted or has shifted inside its cover. If broken or missing cable ties are found, please replace it immediately. Using any part of the park with unsecured padding can lead to serious injury.

Containment netting/wall: The containment walls show no tears in the materials and net

General cleanliness: All play surfaces are clean.

Structural integrity check: Prior to each opening, the controller shall have a trial run. Only after a successful trial are users allowed to enter the play area. The idea of this is to check that all supporting structures are secure, anchored, and do not show any unusual movements, there are no loose fixings in the walls/railing, beams, columns and so on.

Inspection sheets or computer records should be kept by the owner/operator in charge of the equipment inspection.

Yearly Inspection

Beside the everyday routine inspection, the product should be thoroughly examined at appropriate intervals by an authorised person or a certified inspection body in your country. The intervals between two successive thorough examinations may be governed by existing national regulations and differ from country to country. In the UK, an annual safety inspection is a requirement under the Provision and Use of Work Equipment Regulations 1998 (PUWER).

The following checks must be carried out:

- **Visual inspection of the integrity of metal structure:** Bolts, screws and other items that hold the metal and wooden structure together on all parts of the product should be checked against loosening (gaps) which could mean missing bolt or nuts, or damage to the structure itself. When it comes to wooden structures, check for soundness.
- **Anchoring bolts:** Any loosened or missing anchor bolts to be replaced and fastened. The

reasons of a loosened anchor bolt should be investigated. There could be an issue with the concrete, the method of anchoring or the anchoring bolts themselves.

- The fall attenuating performance of all **impact attenuating surfaces/padding** can be tested as per EN1177:2018.

MAINTENANCE AND REPAIRS

Maintenance is required if any safety issues are identified during:

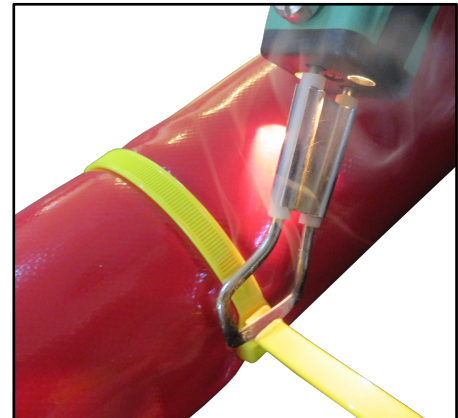
- The everyday operation of the product.
- A routine and/or yearly inspection.

Maintenance consists of repairing torn seams, changing broken cable ties, replacing netting, fixing any loosened or damaged padding etc.

If the netting of the walls has failed or has broken, you must take the padding off, and retie the netting, then add the padding back and refix it with cable ties.

If any cable ties must be replaced, the loose end must be cut off. **Note: The sharp edges of all the trimmed cable ties to be positioned outside the play area, away from users.**

Servicing sheets or computer records should be kept by the owner/operator in charge of the equipment maintenance.



CLEANING AND HYGIENE

To achieve the highest safety standards, regular detailed maintenance and cleaning procedures must be implemented in the SOP.

These cleaning procedures should include the: the mandatory personal protection equipment to be used for each cleaning agent, labelling of bottles, storing in restricted access areas of cleaning agents locked off from the public, etc.

You should clean the PVC surfaces as necessary with a non-corrosive antibacterial cleaning solution. Never use water or any other cleaning agent on metal surfaces. That could cause oxidation and corrosion.

All play area surfaces too be kept free of foreign objects to prevent injuries when users step or jump on them.

In addition to the checks that you must perform, all play products require an annual inspection. Please refer to local legislation for the specific requirements of the country or region that you are operating in.

The Airquee Operation Manual (the "Manual") is proprietary to Airquee Ltd, SC Airquee SRL, Airquee Northern Ireland Limited and Airquee Ireland Limited collectively known as ("Airquee") and no ownership rights are hereby transferred. No part of the Manual shall be used, reproduced, translated, converted, adapted, stored in a retrieval system, communicated, or transmitted by any means, for any commercial purpose, including without limitation, sale, resale, licence, rental, or lease, without the prior express written consent of Airquee.

Airquee does not make any representations, warranties, or guarantees, express or implied, as to the accuracy or completeness of the Manual. Users must be aware that updates and amendments will be made from time to time to the Manual. It is the user's responsibility to determine whether there have been any such updates or amendments. Neither Airquee nor any of its directors, officers, employees, or agents shall be liable in contract, tort or in any other manner whatsoever to any person for any loss, damage, injury, liability, cost or expense of any nature, including without limitation incidental, special, direct or consequential damages arising out of or in connection with the use of the Manual. All logos, images and content not owned by Airquee are copyright to their respective owners and have been reproduced by permission.

Your product model, and its additional equipment (number and type) may differ from the one presented in this manual. All the pictures and drawings contained in this manual are for illustration purposes only. Any misuse or failure to adhere to the instructions and recommendations contained in this manual will render void the warranty.

Due to constant innovation, product enhancement and changes to international standards any printed or downloaded manual may become out of date. The most recent manuals can be freely downloaded at www.airquee.com/manuals.

For any further information or guidance please refer to www.airquee.com/contact for the best way to contact us in your country or region.

